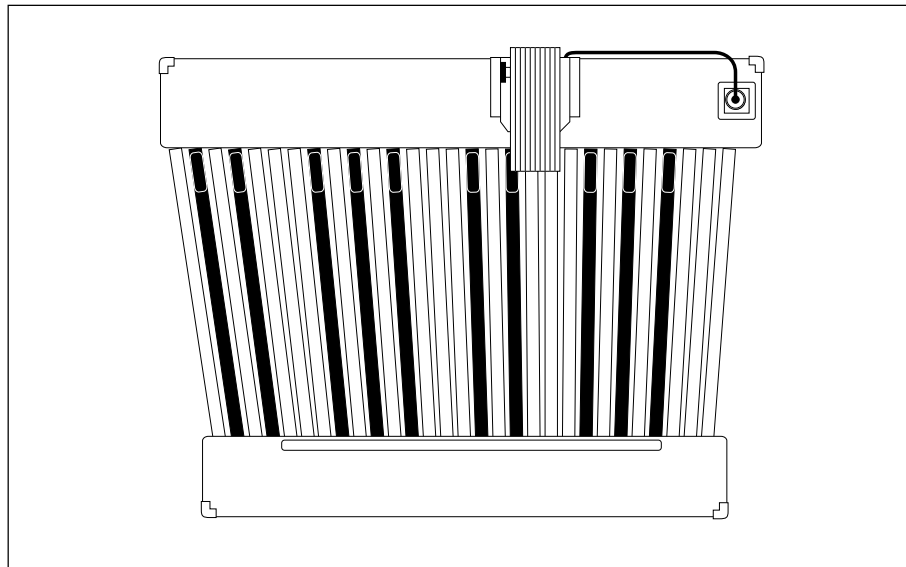


Model PK-25PXX

Thank you, and congratulations on your choice of a Hammond PK-25PXX.

The PK-25PXX is the MIDI pedalboard for Hammond XK-3.

In order to get the most out of this instrument for many years to come, first take the time to read this manual in full.



Owner's Manual

IMPORTANT SAFETY NOTICE



CAUTION

This symbol indicates information that, if ignored or applied incorrectly, creates the possibility of death or serious personal injury.

Follow instructions:

All operation and user instructions should be followed.



Do Not Disassemble:

Do not disassemble this unit.

Servicing:



The user should not attempt to service the appliance beyond that is described in the Operation Instructions. All other servicing should be referred to qualified service personnel.

Location:



Using the unit in the following locations can result in a malfunction.

- ◆ In direct sunlight
- ◆ Locations of extreme temperature or humidity
- ◆ Excessively dusty or dirty locations
- ◆ Locations of excessive vibration
- ◆ Close to magnetic fields

Object and Liquid Entry:



Care should be taken so that objects do not fall and liquids are not spilled into the enclosure through openings.



Damage Requiring Service:

The appliance should be serviced by qualified service personnel when:

- ◆ The power supply cord or the plug has been damaged; or
- ◆ Objects have fallen, or liquid has been spilled into the appliance; or
- ◆ The appliance has been exposed to rain; or
- ◆ The appliance does not appear to operate normally or exhibits a marked change in performance; or
- ◆ The appliance has been dropped, or the enclosure damaged.



Children:

If you let your children use this unit, please always watch and guide them and do not leave them alone.



Do Not Cause a Shock

Do not drop or cause a shock to this unit.



ATTENTION

This symbol indicates information that, if ignored or applied incorrectly, creates the possibility of personal injury or property damage.



Stack/Ride:

Do not stack heavy devices or get on this unit. Such may cause personal injuries or falling down.

Transfer:



Remove all the cables when you transfer this unit, to avoid damages on the cables, or an electric shock or fire.

Do Not Pull the Cord:



Be sure to grasp the plug when unplugging it from a wall outlet. Pulling on the power cord can damage it, and create the danger of fire

and electrical shock.



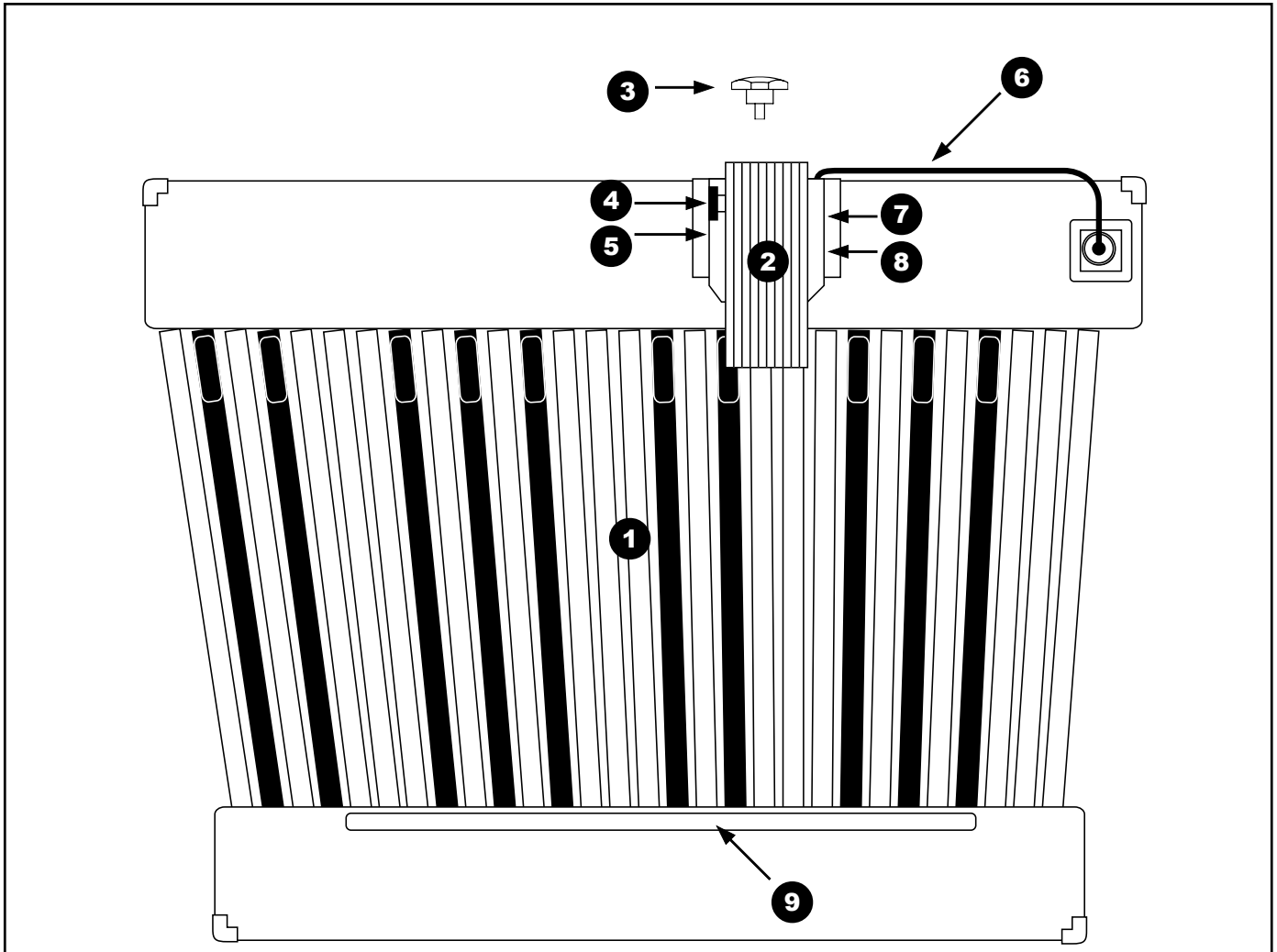
Hook Up:

Turn off all devices before hook up. Follow all instructions and use only designated cables.



Movable Parts:

Make sure not to pinch your fingers when you assemble or disassemble this unit.



1. Pedal keyboard

25-notes, non-velocity pedal keyboard.

2. Expression Pedal

It works as Exp. Pedal 1 (EXP-100) of the XK-3.

3. Knob Bolt

Fix the Expression Pedal assembly.

4. Foot Switch

It works as Foot Switch 2 (EXP-100) of the XK-3.

5. LED

It displays the note is playing, and some values.

6. Key-Scan Cable

Scanning the Pedal Keyboard, and read the playing notes.

7. Expression Jack

Sending out the expression information and input the power supply.

8. MIDI OUT Jack

Sending out the playing information.

9. Foot Rest

Put your foot for rest.

♦ **8-Pin Cable**



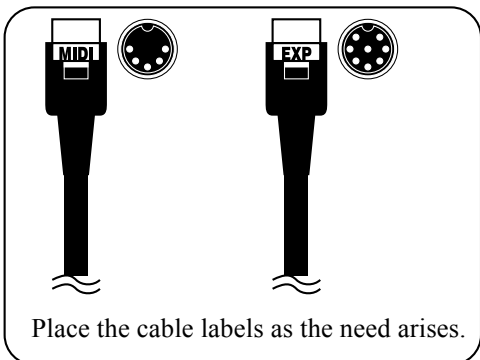
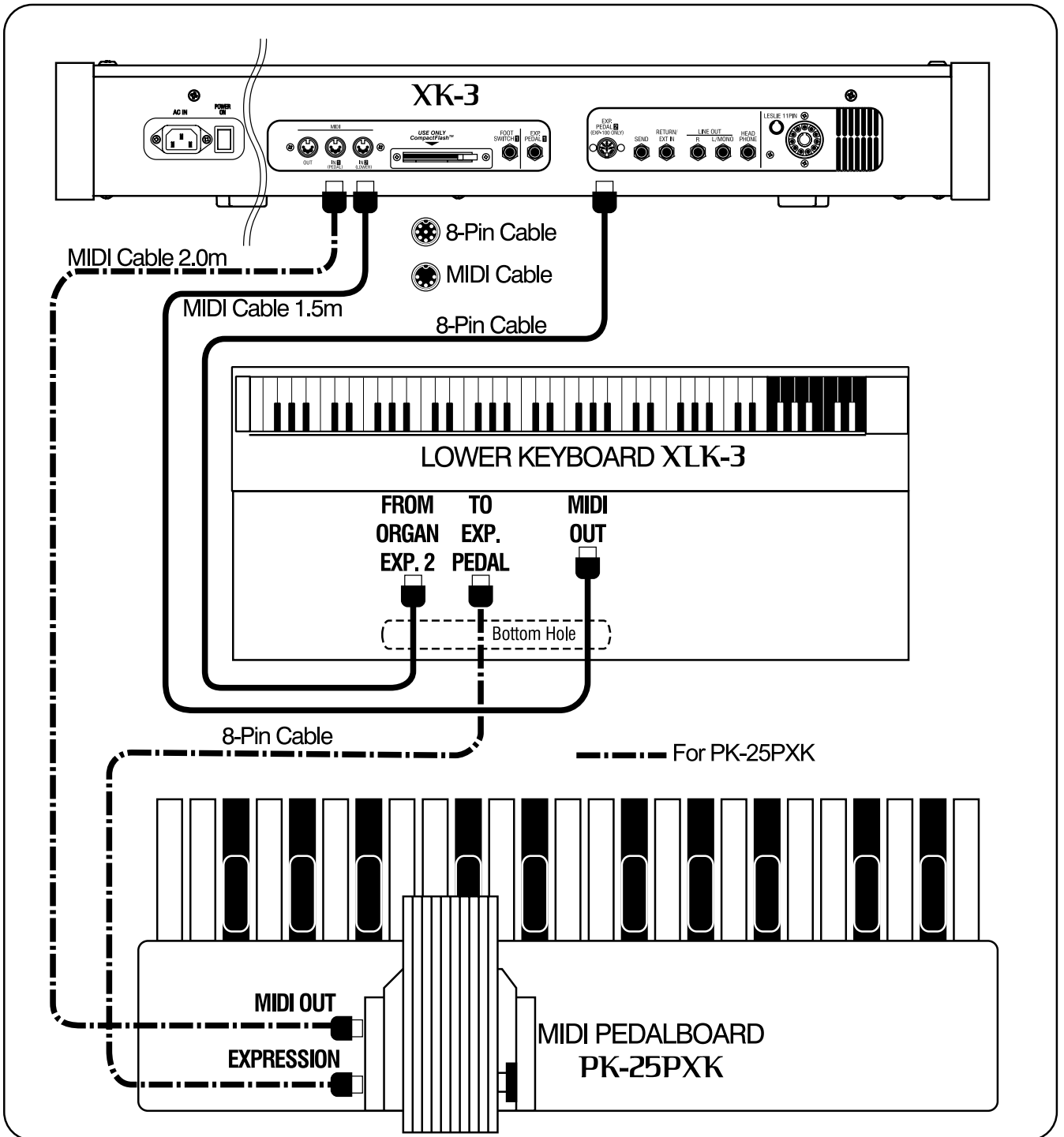
For Expression connection and power supply.

♦ **MIDI Cable**



For MIDI connection.

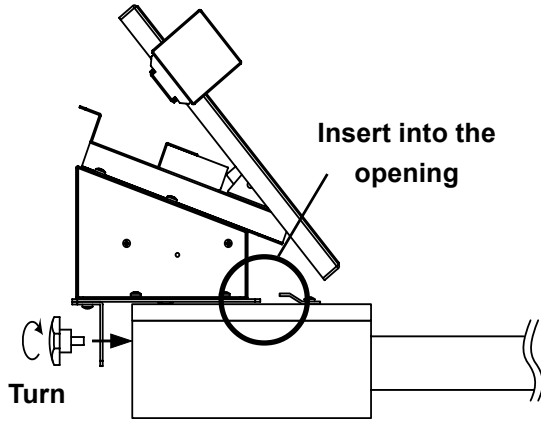
XK-SYSTEM STRUCTURE





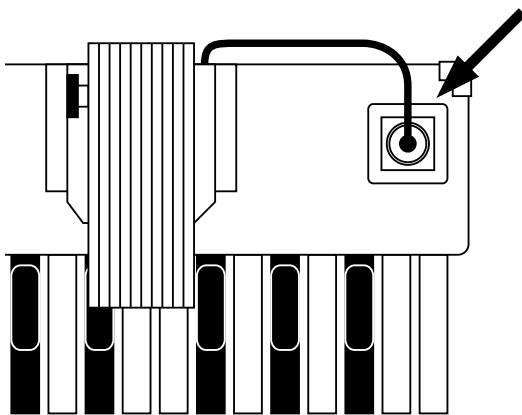
◆ Do this assembly carefully to avoid pinching your fingers or dropping anything on your feet.

1.



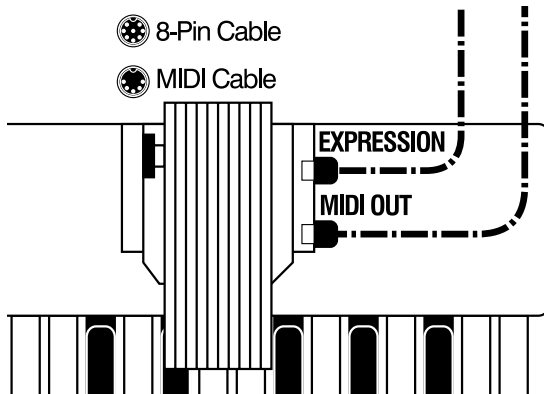
Mount the Expression Pedal on the Pedal Keyboard and fix it by using the knob bolt.

2.



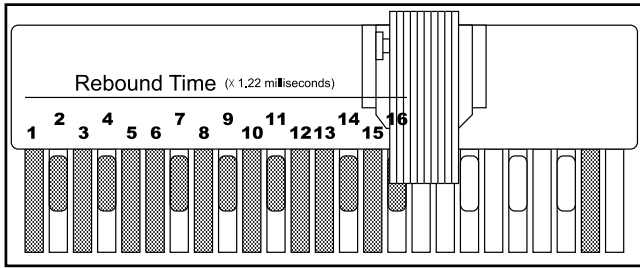
Connect the Key-Scan Cable to the connector on the Pedal Keyboard.

3.



Plug in the 8-Pin cable to the Expression jack and the MIDI cable to the MIDI out jack.

◆ REBOUND TIME



If you play the pedals very fast with a staccato action or if the leafsprings used on the pedals change the characteristic in time (which is a normal situation in heavy use) it may happen that the pedal key bounces a little on release. It may have the effect that you will hear the tone twice.

On previous models you could only solve this by increasing the tension on the leafsprings. With this model you can also avoid this effect very quickly by adjusting the rebound time setting.

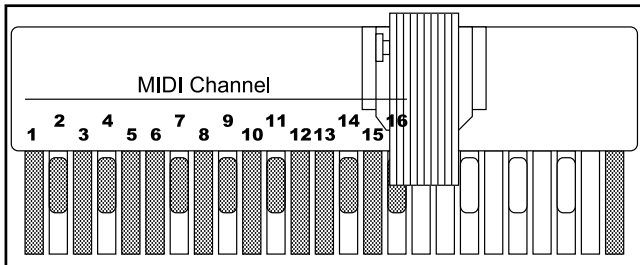
To change the value, turn on the power while pressing the highest B and the key corresponding to its value. (See the left figure.)

Then, the LED on the left of the Expression Pedal blinks slowly the number of times indicating the value.

The setting range is 1 to 16 times (x) 1.22 milliseconds. 4 times (x) 1.22 milliseconds is the default.

Note: Too long rebound time causes delay in the sound.

◆ MIDI CHANNEL



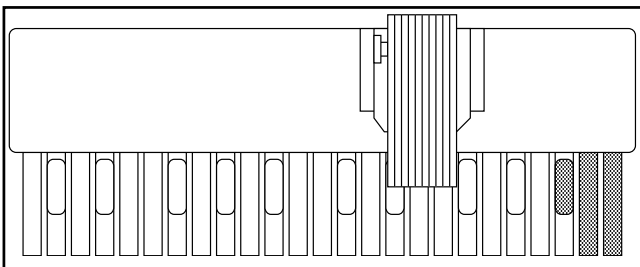
You can change the MIDI channel of the Pedal Keyboard for special purposes.

To change the MIDI channel, turn on the power while pressing the highest C and the key corresponding to its value. (See the left figure.)

Then, the LED on the left of the Expression Pedal blinks fast the number of times indicating the value.

The setting range is Channel 1 to 16. Channel 3 is default.

◆ LOAD DEFAULT VALUES



To reset the PK-25PXK to the initial status, turn on the power while pressing the highest A#, B and C (See the left figure).

Then, the LED on the left side of the Expression Pedal blinks three times, indicating the reset procedure.

MIDI IMPLEMENTATION

[Hammond MIDI Keyboard]
Model: PK-25PXX

MIDI Implementation Chart

Date: 23-Dec-2004
Version: 1.0

Function		Transmitted	Recognized	Remarks
Basic Channel	Default Changed	3 1 - 16	X	
Mode	Default Messages Altered	3 X *****	X X X	
Note Number	: True Voice	36 - 60 *****	X	
Velocity	Note ON Note OFF	X X	X X	
After Touch	Key's Ch's	X X	X X	
Pitch Bender		X	X	
Control Change		X	X	
Program Change	: True #	X *****	X X	
System Exclusive		X	X	
System Common	: Song Position : Song Select : Tune	X X X	X X X	
System Real Time	: Clock : Commands	X X	X X	
Aux Messages	: Local On/Off : All Notes Off : Active Sense : Reset	X X O X	X X X X	

Mode 1: OMNI ON, POLY
Mode 3: OMNI OFF, POLY

Mode 2: OMNI ON, MONO
Mode 4: OMNI OFF, MONO

O: Yes
X: No

SPECIFICATIONS

Keyboard

25 keys

Controls

Expression, Foot Switch

Terminals

MIDI out

Expression

Dimension

108(W), 90(D), 20(H)cm (without Expression Pedal)

Weight

55 lbs (25 kg)

Accessories

MIDI Cable (2.0m)

8-Pin Cable (1.5m)

Cable Label "MIDI" (2pcs)

Cable Label "EXP" (2pcs)

SERVICE

Hammond maintains a policy of continuously improving and upgrading its instruments and therefore reserves the right to change specifications without notice. Although every attempt has been made to insure the accuracy of the descriptive contents of this Manual, total accuracy cannot be guaranteed.

Should the owner require further assistance, inquiries should first be made to your Authorized Hammond Dealer. If you still need further assistance, contact Hammond at the following addresses:

In the United States contact:

HAMMOND SUZUKI USA, Inc.
733 Annoreno Dr.
Addison, IL 60101
UNITED STATES

Website:
www.hammondorganco.com

In Europe contact:

HAMMOND SUZUKI EUROPE
B.V.
IR. D.S. Tuynmanweg 4A
4131 PN Vianen
THE NETHERLANDS

E-mail: Info@hammondsuzuki.com
Website: www.hammondsuzuki.com

All other countries contact:

HAMMOND SUZUKI Ltd.
25-11, Ryoke 2 Chome
Hamamatsu 430-0852
(Shizuoka)
JAPAN

Website: www.suzuki-music.co.jp

Technical materials are available and can be obtained by mailing a request to the appropriate address listed above marked ATTENTION: SERVICE DEPARTMENT.

Manufacturer:
SUZUKI MUSICAL INSTRUMENT MFG. CO., Ltd.
25-12, Ryoke 2 Chome
Hamamatsu 430-0852 (Shizuoka)
JAPAN